

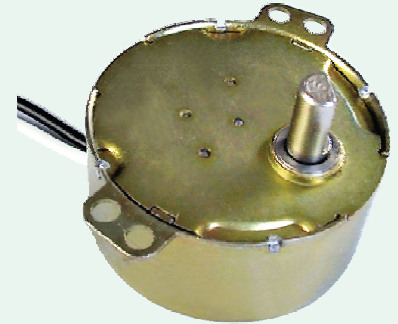
■ 50TYZ-F

Features:

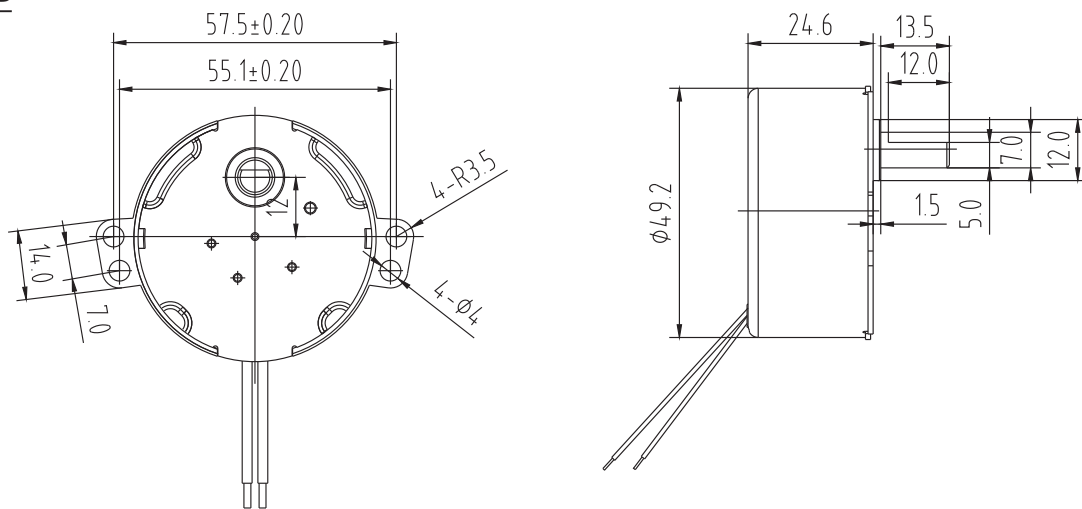
- Gear box inside designed
- High torque and efficiency with low noise, light weight
- Speed state invariable not effected by voltage under rated frequency
- Winding will not ruin when motor over loading or abrupt stop running

Applications:

Electric equipment, HVAC System, CATV System



■ Drawing



■ Specification

ITEM	DATA		
Rated Voltage (V)	24	110	220
Rated Frequency (Hz)	50/60		
Input Power (W)	<4.5		
Input Current (A)	<0.3	<0.065	<0.032
Output Power (W)	1		
Noise (db)	<40		
Rotate direction	CW / CCW / FREE		

■ Safety

ITEM	DATA
Insulation resistance	DC500V 100M欧姆
Insulation str.	AC1500V 50Hz/min(220V motor)
Insulation class	E(105 C)/B(130 C)
Environment	Temp:-10 C~+40 C / humidity:<85%
Protection	Impedance
Certification	

■ Speed&Torque

Speed (RPM)	Working style	1.6	2.5	3	4	6
Torque (kgf.cm / lb-in)	S1 continuous	27 / 23.5	17 / 14.8	14 / 12.2	11 / 9.6	7 / 6
	S2 15 minutes			18 / 15.7	13 / 11.3	9 / 7.8
	S2 5 minutes				15 / 13	10 / 8.7

- Above datas are from motors under 50Hz. If under 60Hz, SpeedX1.2, Torque /1.2
- Other speed and torque needed, please contact our sales department

- For more detailed information, feel free to contact us.
Tel:86-574-88269898 Fax:86-574-56664788 export@fengtech.com