

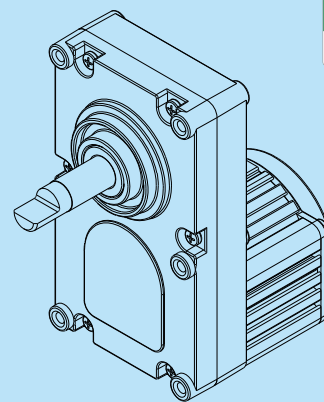
## ■ FAS-BL70

### Features

- Extreme Long durability
- Ball bearing construction on both rotor and shaft
- Needle bearing & nylon bearing for gear train
- Customized service
- Controller with RS-485 interface available

### Applications

- Commercial ice cream equipment
- Pellet stove
- Pumps
- Custom solutions

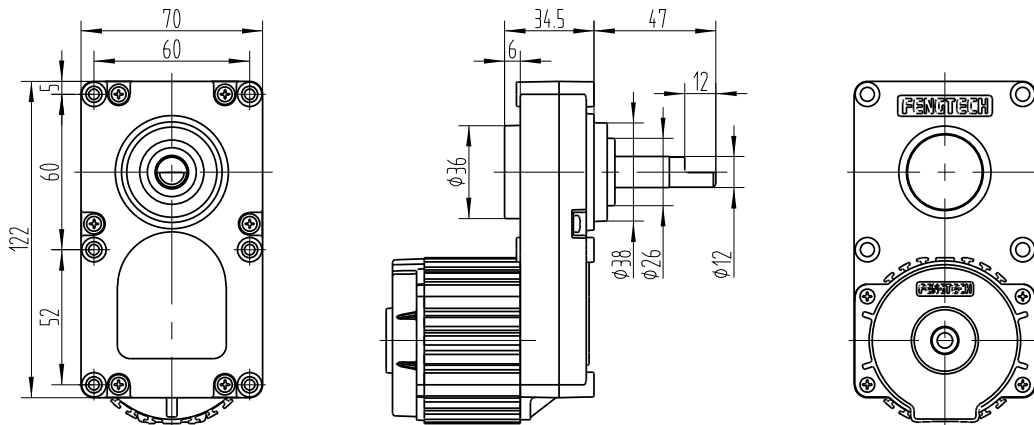


BLDC  
MOTOR

PWM  
RS-485

SPEED  
Adjust

### Drawings



### Specifications

| ITEM             | SPECIFICATION  |
|------------------|----------------|
| Input Voltage    | 12 or 24 VDC   |
| Input Power      | 30 ~ 60 W      |
| Speed Range      | 0 ~ 2800 RPM   |
| Output Power     | 20 ~ 45 W      |
| Tachometer       | 9 PPR          |
| Rotate Direction | Bi-directional |
| Current Limit    | 2.0 ~ 5.0 A    |

| STANDARD MOTOR SPEED (NO-LOAD) |      |      |      |  |  |
|--------------------------------|------|------|------|--|--|
| 1000                           | 1500 | 2000 | 2800 |  |  |

| STANDARD GEAR RATIO |  |  |  |  |  |
|---------------------|--|--|--|--|--|
| 65:1                |  |  |  |  |  |

### Safety

| ITEM                  | SPECIFICATION                     |
|-----------------------|-----------------------------------|
| Insulation Resistance | 100 M ohm                         |
| Insulation Class      | Class E                           |
| Electric Strength     | DC500V 1sec.                      |
| Environment           | Temp: -20 ~ 45°C / Humidity: <85% |
| Protection            | Impedance or thermal protection   |
| Certification         | CE CCC RoHS                       |

| INTEGRATED CONTROLLER WIRING |       |         |                                   |
|------------------------------|-------|---------|-----------------------------------|
| PIN                          | COLOR | SYMBOL  | DESCRIPTION                       |
| 1                            | RED   | VCC     | Input power                       |
| 2                            | RED   | VCC     | Input power                       |
| 3                            | GREEN | Vsp / A | Speed control input / 485 BUS A   |
| 4                            | WHITE | FG / B  | Rotation speed output / 485 BUS B |
| 5                            | BLACK | GND     | Power ground                      |
| 6                            | BLACK | GND     | Power ground                      |