

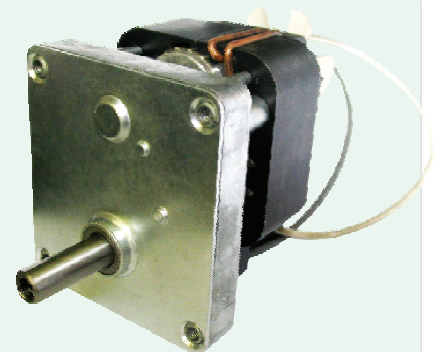
## ■ YJF-FF

### Features:

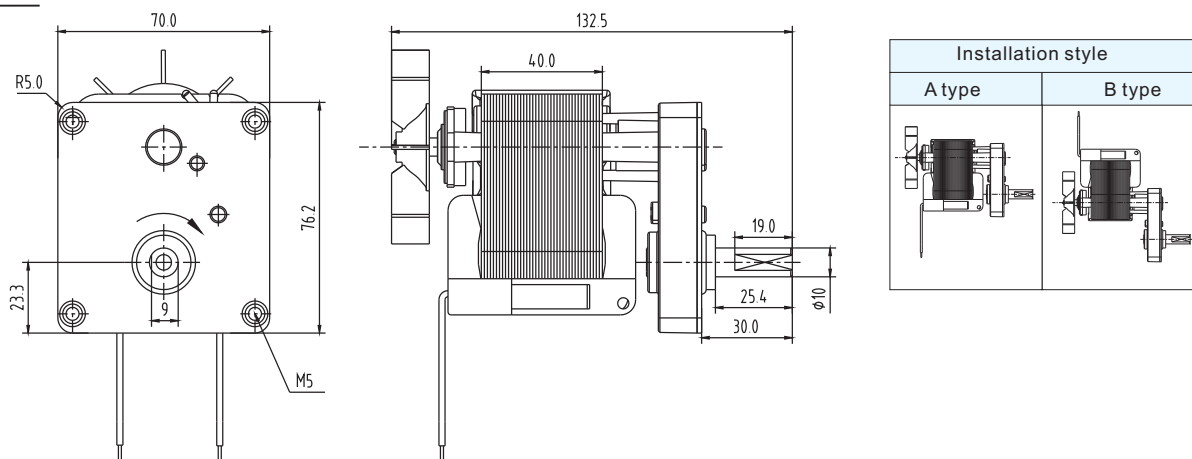
- Variable Speed with low noise
- High Torque for low speed
- Needle Bearing and ball Bearing if optional for long life
- Impedance Protected or Thermal Protected

### Applications:

- Commercial Grills, Ovens, Rotisseries, Water Treatment Equipment
- Peristaltic Pump, Household Appliances etc.



### ■ Drawing



### ■ Specification

ITEM	DATA
Rated Voltage (V)	110 220
Rated Frequency (Hz)	50/60
Input Power (W)	16-50
Output Power (W)	3-12
Noise (db)	<65
Rotate direction	CW OR CCW(uncontrollable)
Model	YJF61/YJF64

### ■ Safty

ITEM	DATA
Insulation resistance	DC500V 100M Ohms
Insulation str.	AC1500V 50Hz/min(220V motor)
Insulation class	E(105 C)/B(130 C)
Environment	Temp:-10 C~+40 C / Humidity:<85
Protection	Impedance or overheating protection
Certification	

### ■ Speed&Torque

Gear Ratio		1/51	1/70	1/92	1/133						
Rated Speed at 50Hz(RPM)		55	40	30	21						
Rated Torque at different Stator Length (kgf.cm)	L=16mm	4.5	6	8.2	11.2						
	L=20mm	5.6	7.5	10.2	14.3						
	L=25mm	8.4	11.5	15.1	21						
	L=30mm	11.2	15	20.3	28.5						
	L=40mm	17.3	23	31	44						

- Above datas are from motors under 50Hz and height of stator is 40mm. If under 60Hz, SpeedX1.2, Torque /1.2
- Other speed and torque needed, please contact our sales department
- For more detailed information, feel free to contact us.  
Tel:86-574-88269898 Fax:86-574-56664788 export@fengtech.com