

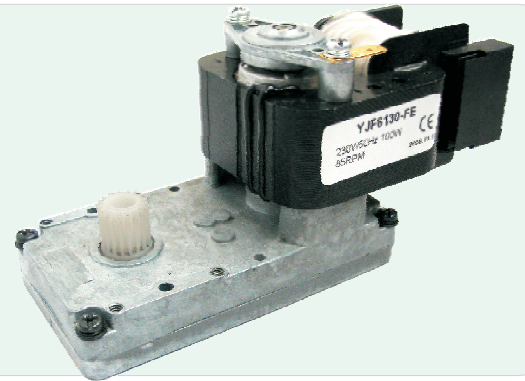
## ■ YJF-FE

### Features:

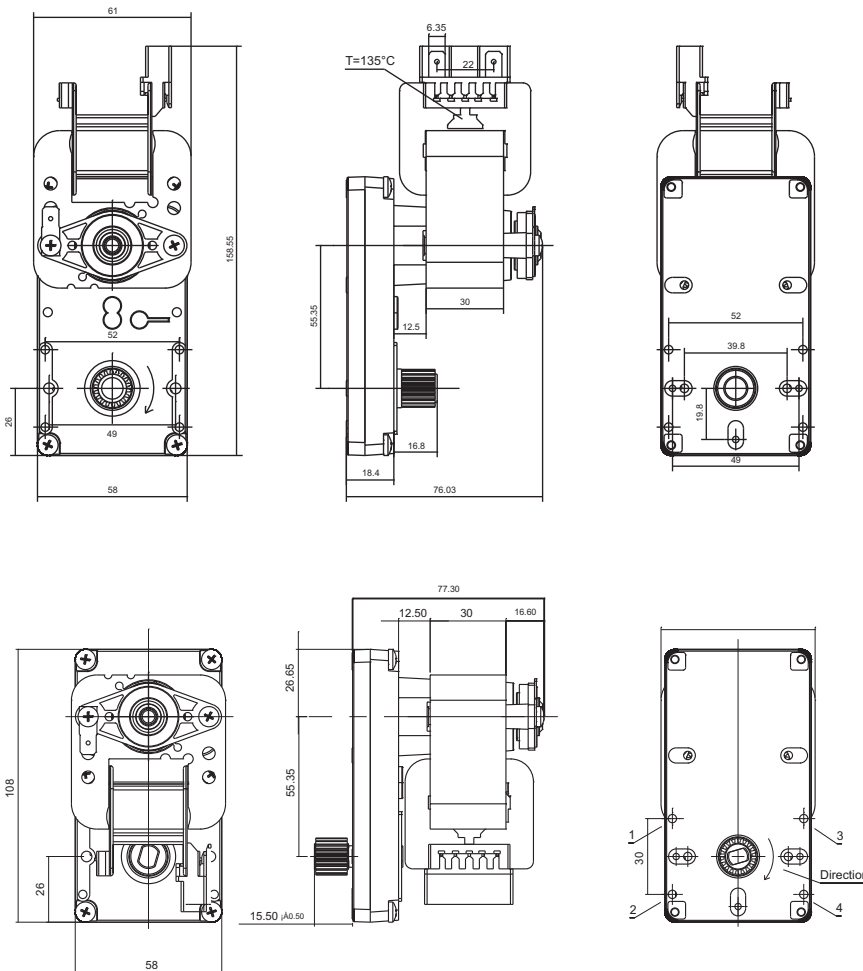
- Variable Speed with low noise
- High Torque for low speed
- Needle Bearing and ball Bearing if optional for long life
- Impendence Protected or Thermal Protected

### Applications:

- Vending Machine, Water Treatment Equipment
- Peristaltic Pump, Household Appliances etc.



### ■ Drawing



### ■ Specification

ITEM	DATA
Rated Voltage (V)	110-230
Rated Frequency (Hz)	50/60
Input Power (W)	16-100
Output Power (W)	3-15
Noise (db)	<65
Rotate direction	CW OR CCW
Motor Model	YJF61/YJF64
Gear Ratio	1:33
OutPut Speed(RPM)	85

- For more detailed information, feel free to contact us.  
Tel:86-574-88269898 Fax:86-574-56664788 export@fengtech.com