

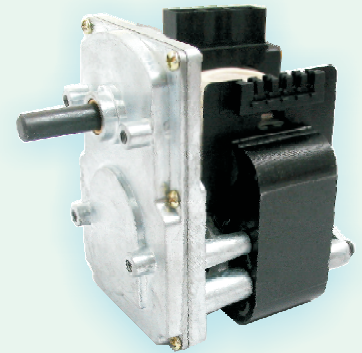
## ■ YJF-FD

### Features:

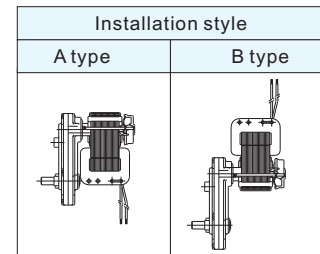
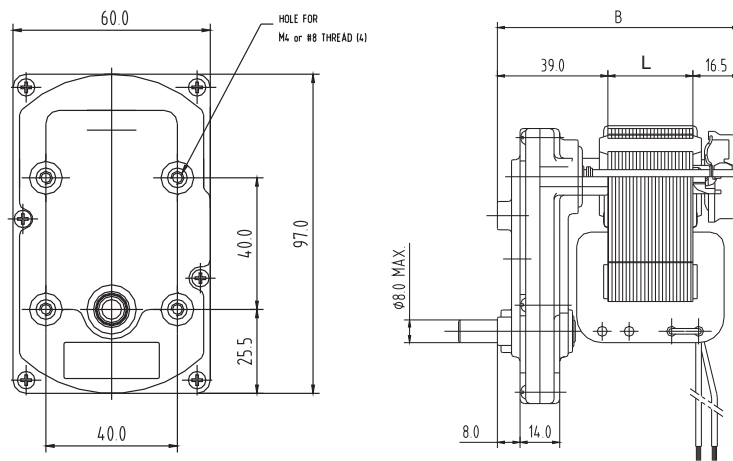
- Variable Speed with low noise
- High Torque for low speed
- Needle Bearing and ball Bearing if optional for long life
- Impedance Protected or Thermal Protected

### Applications:

- Commercial Grills, Ovens, Rotisseries, Water Treatment Equipment
- Peristaltic Pump, Household Appliances etc.



### ■ Drawing



- Other shaft available
- More detailed product information, feel free to contact our sales department:

### ■ Specification

ITEM	DATA
Rated Voltage (V)	110 220
Rated Frequency (Hz)	50/60
Input Power (W)	16-50
Output Power (W)	3-12
Noise (db)	<65
Rotate direction	CW OR CCW(uncontrollable)
Model	YJF61/YJF64/YJF72

### ■ Safty

ITEM	DATA
Insulation resistance	DC500V 100M Ohms
Insulation str.	AC1500V 50Hz/min(220V motor)
Insulation class	E(105 C)/B(130 C)
Environment	Temp:-10 C~+40 C / Humidity:<85
Protection	Impedance or overheating protection
Certification	

### ■ Speed&Torque

Gear Ratio		1/51	1/106	1/130	1/270	1/390	1/482	1/600	1/670			
Rated Speed at 50Hz(RPM)		55	26.5	21.5	10	7.2	5.8	4.7	4.2			
Rated Torque at different Stator Length (kgf.cm)	L=16mm	4.5	9.2	11.5	22	33	40	55	55			
	L=20mm	5.6	11.6	14.5	29	42	50	60	70			
	L=25mm	8.4	17.5	21.5	43	62	70	80	90			
	L=30mm	11.2	23.3	28.8	50	85	90	100	100			
	L=40mm	17.3	36.5	44	70	100	100	100	100			

- Above datas are from motors under 50Hz and height of stator is 40mm. If under 60Hz, SpeedX1.2, Torque /1.2
- Other speed and torque needed, please contact our sales department
- For more detailed information, feel free to contact us.  
Tel:86-574-88269898 Fax:86-574-56664788 export@fengtech.com