

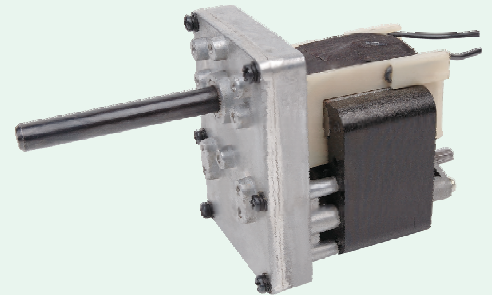
■ YJF-FC

Features:

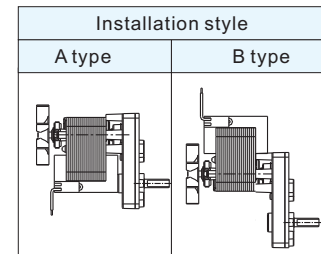
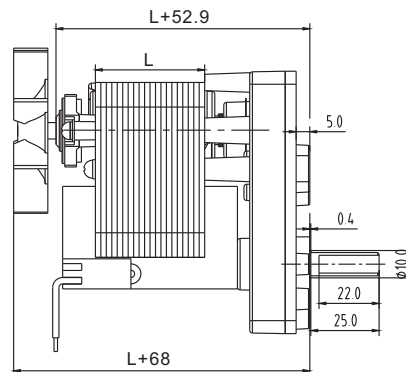
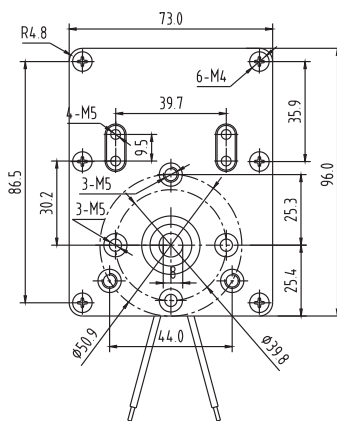
- Variable Speed with low noise
- High Torque for low speed
- Needle Bearing and ball Bearing if optional for long life
- Impedance Protected or Thermal Protected

Applications:

- Commercial Grills, Ovens, Rotisseries, Water Treatment Equipment
- Peristaltic Pump, Household Appliances etc.



■ Drawing



- Other shaft available
- More detailed product information, feel free to contact our sales department:

■ Specification

ITEM	DATA	
Rated Voltage (V)	110	220
Rated Frequency (Hz)	50/60	
Input Power (W)	16-50	
Output Power (W)	3-12	
Noise (db)	<65	
Rotate direction	CW OR CCW(uncontrollable)	
Model	YJF61/YJF64/YJF72	

■ Safty

ITEM	DATA
Insulation resistance	DC500V 100M Ohms
Insulation str.	AC1500V 50Hz/min(220V motor)
Insulation class	E(105 C)/B(130 C)
Environment	Temp:-10 C~+40 C / Humidity:<85
Protection	Impedance or overheating protection
Certification	

■ Speed&Torque

Gear Ratio		1/39	1/54	1/80	1/111	1/150	1/208					
Rated Speed at 50Hz(RPM)		72	52	35	25.2	18.7	13.5					
Rated Torque at different Stator Length (kgf.cm)	L=16mm	3.5	4.8	7.1	9.9	13.3	18.5					
	L=20mm	4.5	6	8.9	12.3	16.5	23.1					
	L=25mm	6	9	13.3	18.5	25	34.7					
	L=30mm	8	12	17.5	24.7	33.4	46.3					
	L=40mm	13.6	18	27	37	46	65					

- Above datas are from motors under 50Hz and height of stator is 40mm. If under 60Hz, SpeedX1.2, Torque /1.2
- Other speed and torque needed, please contact our sales department
- For more detailed information, feel free to contact us.
Tel:86-574-88269898 Fax:86-574-56664788 export@fengtech.com