

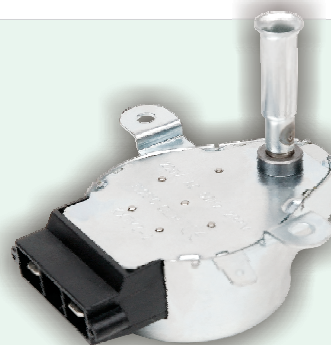
## ■ KXTYZ-2

### Features:

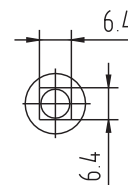
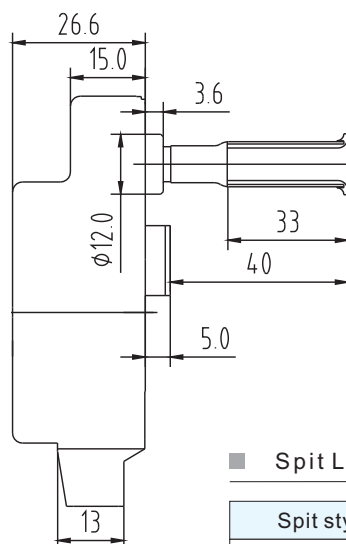
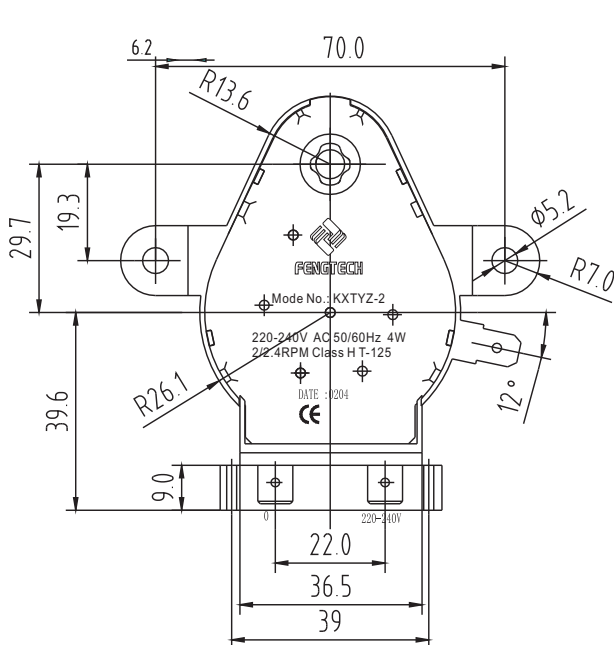
- Gear box inside designed
- High torque with low noise
- Special designed for grill ,Oven,or other

### Applications:

Grill ,Oven



### ■ Drawing



- Packaging:
- 43.4x41.9x17cm
- 80PCS(40X2)/carton ,14kg

### ■ Spit List

Spit style	L	Applicable shaft
	H TYPE	25.5mm 35.5mm 40.5mm
	S TYPE	30.5mm 35.5mm 40.5mm
	T TYPE	25.5mm 35.5mm 40.5mm

### ■ Specification

ITEM	DATA		
Voltage (V)	110	220	230
Frequency (Hz)	50/60		
Input Power(W)	4	4	4.5
Input Current(A)	0.06	<0.03	<0.033
Noise(db)	<40		
Rotation	Unidirectional /Free		
Speed (RPM)	2		
Torque (kgf.cm / lb-in)	10 / 8.7		

### ■ Safety

ITEM	DATA
Insulation Resist.	DC500V 100Mohms
Insulation Str.	AC1500V 50Hz/min(220V)
Insulation Class	H
Environment	-15 C~125 C
Protection	Impedance
Certificated	

- For more detailed information,feel free to contact us.  
Tel:86-574-88269898 Fax:86-574-56664788 export@fengtech.com