

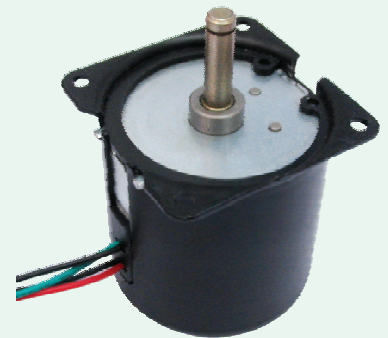
■ 59TYD-B

Features:

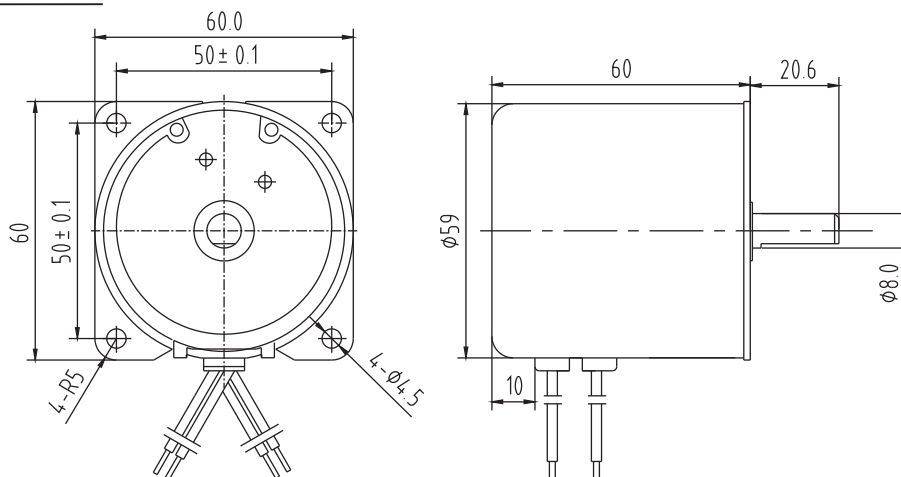
- Gear box inside designed
- High torque and efficiency with low noise, light weight
- Speed state invariable not effected by voltage under rated frequency
- Winding will not ruin when motor over loading or abrupt stop running

Applications:

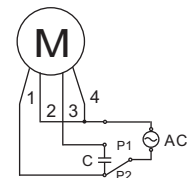
Electric equipment, HVAC System, CATV System



■ Drawing



■ Wire connecting



Voltage wire	24V	110V	220V
1	Red	Yellow	Black
2	Black	Red	Yellow
3	Yellow	Black	Red
4	Black	Red	Yellow

- Above are basic wire colors. customization also welcome.

■ Specification

ITEM	DATA		
Rated Voltage (V)	24	110	220
Rated Frequency (Hz)	50/60		
Input Power (W)	<16		
Input Current (A)	<0.3	<0.065	<0.032
Output Power (W)	4		
Noise (db)	<40		
Rotate direction	CW / CCW / Bi-directional		

■ Safety

ITEM	DATA
Insulation resistance	DC500V 100M Ohms
Insulation str.	AC1500V 50Hz/min(220V motor)
Insulation class	E(105 C)/B(130 C)
Environment	Temp:-10 C~+40 C / Humidity:<85%
Protection	Impedance
Certification	

- If need running under low temp between(-40 C~-15 C) please notify us.

■ Speed&Torque

Speed (RPM)	Working style	5	10	12	15	20	30	60	98
Torque (kgf.cm / lb-in)	S1 continuous	50 / 43.5	25 / 21.8	20 / 17.4	16 / 13.9	12 / 10.4	8 / 7	4 / 3.5	2.5 / 2.18
	S2 15 minutes	>80 / 69.6	45 / 39.2	37 / 32.2	29 / 43.5	22 / 19.1	15 / 13	7 / 6	4.5 / 3.9
	S2 5 minutes	>100 / 87	52 / 45.2	43 / 37.4	35 / 30.5	26 / 22.6	17.5 / 15.2	8.8 / 7.7	5.3 / 4.6

- Above datas are from motors under 50Hz. If under 60Hz, SpeedX1.2, Torque /1.2
- Other speed and torque needed, please contact our sales department

For more detailed information, feel free to contact us.
Tel:86-574-88269898 Fax:86-574-56664788 export@fengtech.com