

■ 49TYD-1

Featurers:

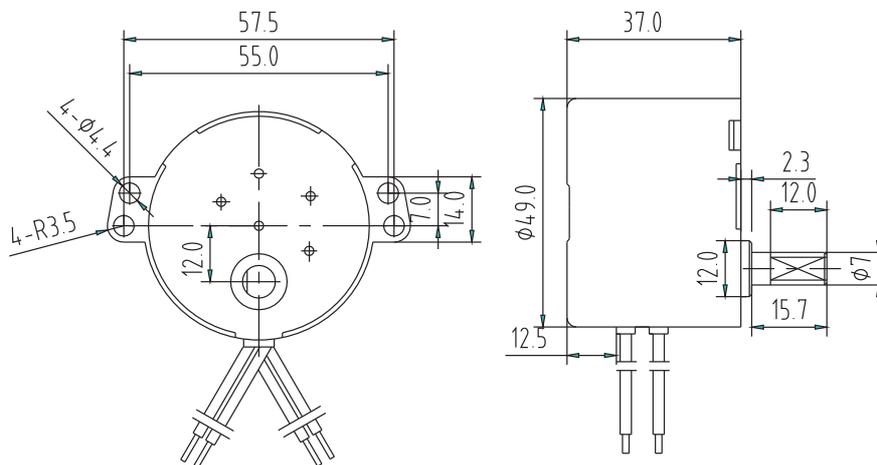
- Gear box inside designed
- High torque and efficiency with low noise,light weight
- Speed state invariable not effected by voltage under rated frequency
- Winding will not ruin when motor over loading or abrupt stop running

Applications:

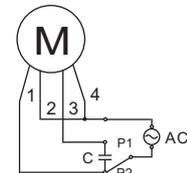
Electric equipment,HVAC System,CATV System



■ Drawing



■ Wire connecting



| Voltage wire | 24V | 110V | 220V |
|--------------|--------|--------|--------|
| 1 | Red | Yellow | Black |
| 2 | Black | Red | Yellow |
| 3 | Yellow | Black | Red |
| 4 | Black | Red | Yellow |

- Above are basic wire colors. customization also welcome.

■ Spcification

| ITEM | 参数 | | |
|----------------------|---------------------------|-------|--------|
| Rated Voltage (V) | 24 | 110 | 220 |
| Rated Frequency (Hz) | 50/60 | | |
| Input Power (W) | 2.5-7 | | |
| Input Current (A) | <0.2 | <0.05 | <0.023 |
| Output Power (W) | 1.2 | | |
| Noise (db) | <45 | | |
| Rotate direction | CW / CCW / Bi-directional | | |

■ Safety

| ITEM | DATA |
|-----------------------|---------------------------------|
| Insulation resistance | DC500V 100M Ohms |
| Insulation str. | AC1500V 50Hz/min(220V motor) |
| Insulation class | E(105 C)/B(130 C) |
| Environment | Temp:-10 C~+40 C / Humidity:<85 |
| Protection | Impedance |
| Certification | RoHS CE CCC |

■ Speed&Torque

| Speed (RPM) | Working style | 1.04 | 1.5 | 2 | 2.5 | 4 | 4.8 | 5 | 5.8 | 9 | 15 | 25 | 30 | 45 | 60 | 75 |
|-------------------------|---------------|---------|---------|---------|---------|-----------|-----------|---------|---------|---------|-------|----------|---------|----------|----------|----------|
| Torque (kgf.cm / lb-in) | S1 continuous | 45/39 | 30/26 | 22/19 | 18/15.7 | 11/9.6 | 9.4/8.2 | 9/7.8 | 7.6/6.6 | 5/4.35 | 3/2.6 | 1.8/1.57 | 1.5/1.3 | 1/0.87 | 0.75 | 0.6 |
| | S2 15 minutes | 60/52.2 | 40/34.8 | 30/26 | 24/20.9 | 15/13 | 12.5/10.9 | 12/10.4 | 10/8.7 | 6.5/5.7 | 4/3.5 | 2.4/2.1 | 2/1.74 | 1.3/1.13 | 1/0.87 | 0.8/0.7 |
| | S2 5 minutes | 70/60.9 | 46/40 | 35/30.5 | 28/24.4 | 17.5/15.2 | 14.5/12.6 | 14/12.2 | 12/10.4 | 7.8/6.8 | 4.6/4 | 2.8/2.43 | 2.3/2 | 1.5/1.3 | 1.2/1.04 | 1.0/0.87 |

- Above datas are from motors under 50Hz. If under 60Hz, SpeedX1.2, Torque /1.2
- Other speed and torque needed, please contact our sales department

For more detailed information,feel free to contact us.
Tel:86-574-88269898 Fax:86-574-56664788 export@fengtech.com