

# It's time to switch to Brushless DC Motor

**FENGTECH**  
AC&DC Geared Motor Expert

www.fengtech.com

## ■ BL3640

Standard

Built-in Driver

### Features

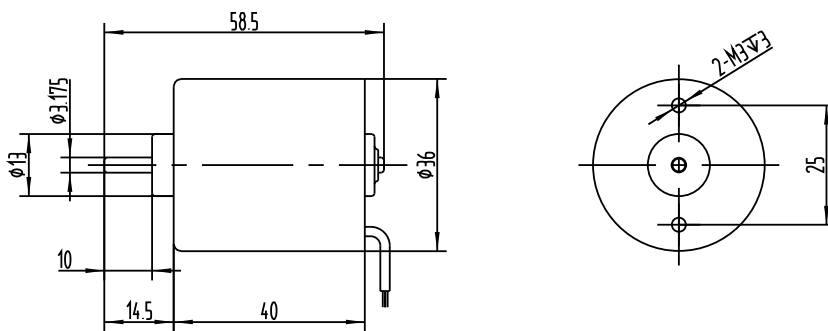
Forward/Reverse Rotation Switchable  
Locked rotor protection, Stepless speed regulation  
Reverse wiring protection, Over/Under voltage protections  
Low noise, Low EMI, Long life 10000-30000hrs

### Application

Home Application: White Goods, Small Appliance, Coffee Machine  
Power Tools: Screwdriver, Drill, Air Compressor  
Business Equipment: Printer, Copier, Projector, ATM, Vending Machine  
Personal Care: Hair Dryer, Electric Shaver, Massager



### ■ Outline Drawing



Wire Color	Driver Function
Red DC "+"	Forward/Reverse Rotation
Black DC "-"	Speed Control
White CW/CCW	Over/Under Volt Protection
Yellow Speed regulation	Reverse Wiring Protection
	Over Current Protection
	Rotor Speed signal output

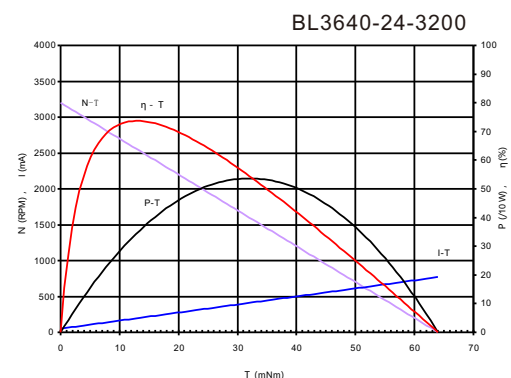
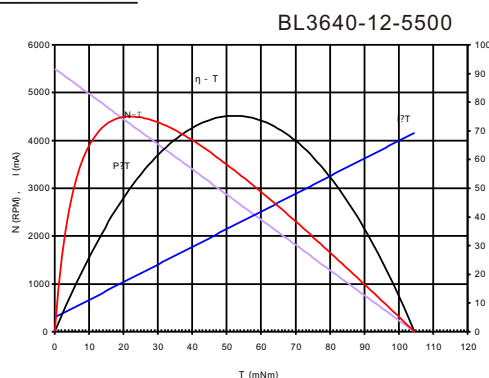
Motor Parameter	
Winding Type	3 Phase, Star, 9 Poles
Hall Sensor	Sensorless/120 degree
Insulation class	Class E
Dielectric strength	500VDC for one minute
Insulation resistance	100M ohm, 500VDC

### ■ Specification

Model	Voltage		No Load		Rated Load				Stall	
	Range (V)	Rated (V)	Speed (RPM)	Current (A)	Torque (mN. M)	Speed (RPM)	Current (A)	Power (W)	Torque (mN. M)	Current (A)
BL3640-12-5500	8-15	12	5500	0.29	18	4500	0.85	8.7	107	4.2
BL3640-12-3500	8-15	12	3500	0.14	15	2800	0.43	4.3	67	1.8
BL3640-24-6100	18-26	24	6100	0.13	19	4800	0.49	9.8	90	2.1
BL3640-24-3200	18-26	24	3200	0.05	12	2600	0.16	3.2	54	0.7

Notice: Data above are for special customer. Voltage, rated torque, speed, current, power and shaft dimension can be changed as the customer's requirement.

### ■ Performance Curve



- For more detailed information, feel free to contact us.  
Tel: 86-574-88269898 Fax: 86-574-56664788 export@fengtech.com